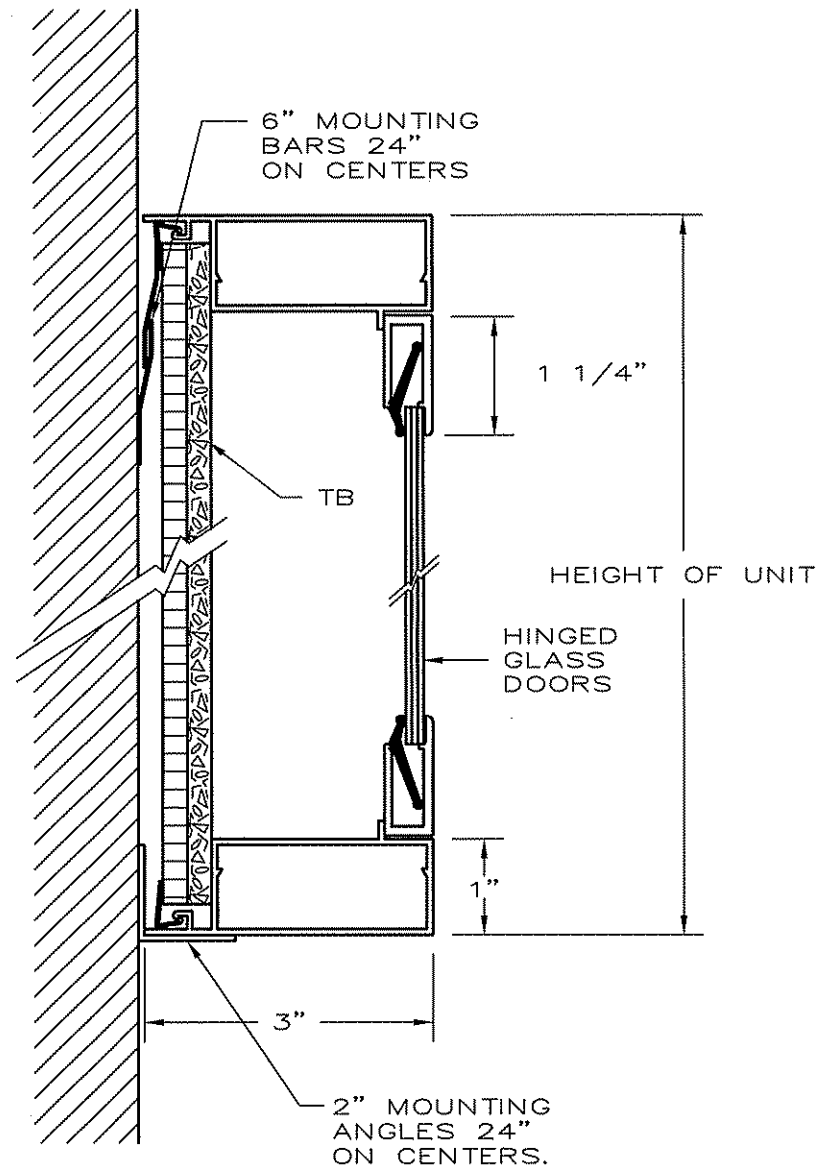
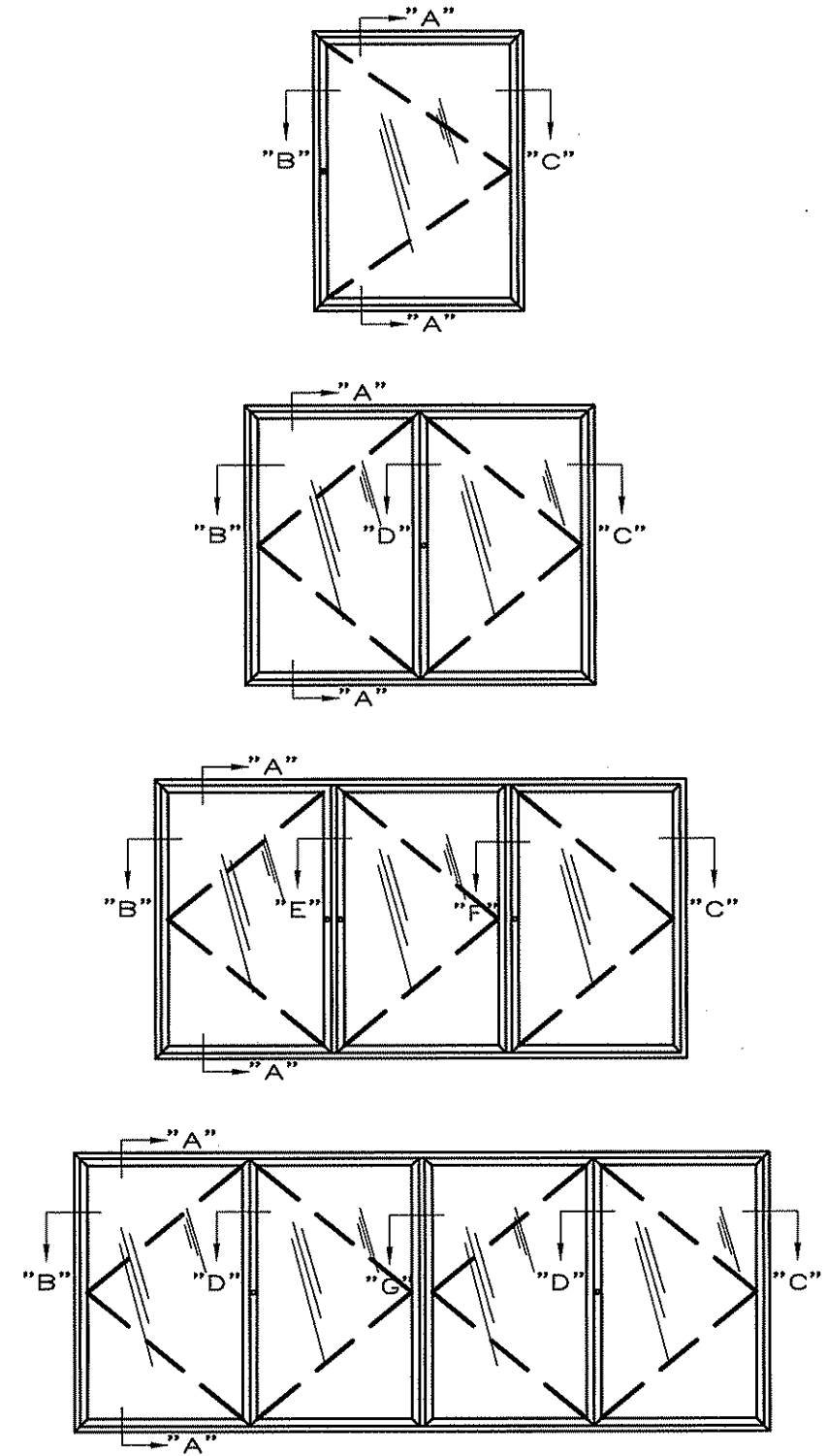


# CLARIDGE REVERE BULLETIN BOARD CABINET



SECTION "AA"



| NO.  | O. A.<br>SIZE<br>H-W | NO.<br>DOORS |
|------|----------------------|--------------|
| 3520 | 3'X2'                | 1            |
| 3620 | 3'X2'6"              | 1            |
| 3720 | 3'X3'                | 1            |
| 3820 | 3'6"X2'6"            | 1            |
| 3920 | 3'6"X3'              | 1            |
| 4020 | 4'X4'                | 2            |
| 4120 | 3'X4'                | 2            |
| 4220 | 3'6"X5'              | 2            |
| 4320 | 4'X5'                | 2            |
| 4420 | 4'X6'                | 2            |
| 4520 | 4'X7'                | 3            |
| 4620 | 4'X8'                | 4            |
| 4820 | 4'X10'               | 4            |
| 5020 | 4'X12'               | 4            |

