

**BOARDROOM ELECTROL®**  
Automatic Electric Projection Screen

When ordering, make appropriate selections:

- Select size from charts.
- Select viewing surface:
  - Matte White
  - Video Spectra™1.5
  - Glass Beaded
  - High Power
- Options (priced separately):
  - Black "Extra Drop" to lower picture area more than normal. Maximum total drop 13' including picture area.
  - White "Extra Drop" to lower picture area more than normal. Maximum total drop 13' including picture area.
  - Ivory Control Switch to replace Standard White.
  - Stainless Steel Control Switch to replace Standard Switch.
  - Locking Switch Cover Plate for 120V or L.V.C. Switch.
  - Key-Operated Switch for 120 only (NOTE: Cannot be used with low-voltage system).
  - White Closure Doors.
  - No Borders (Black masking borders standard).
  - Video Projector Interface Control, 12V or 5V.



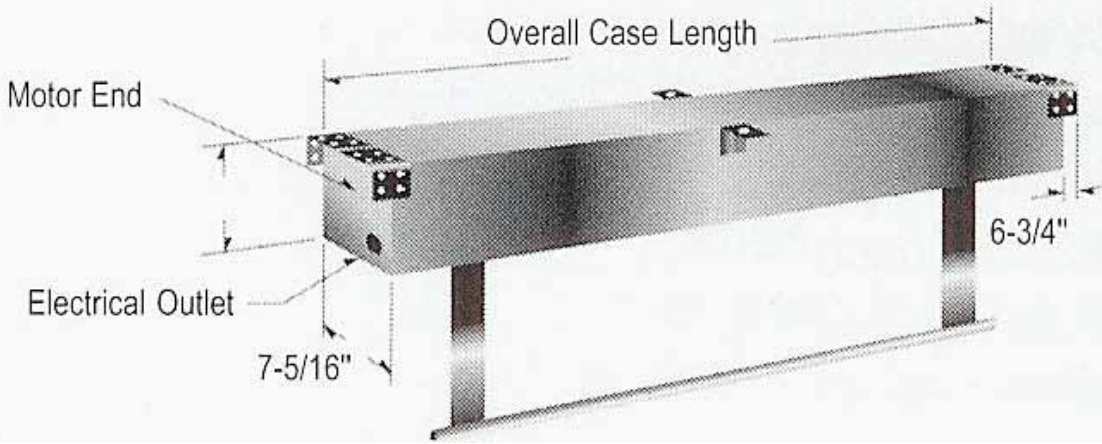
Screen Options

**Matte White:** Horizontal seams required when both dimensions exceed 10',

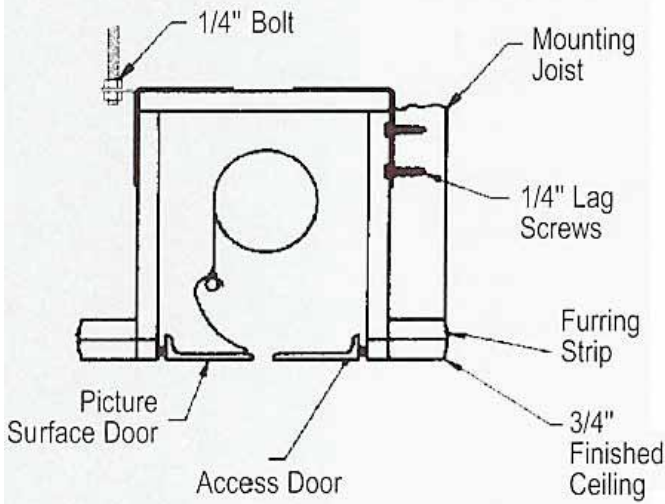
**Glass Beaded:** Horizontal seams required when both dimensions exceed 8'.

**Video Spectra™1.5:** Available in sizes where both dimensions do not exceed 8'.

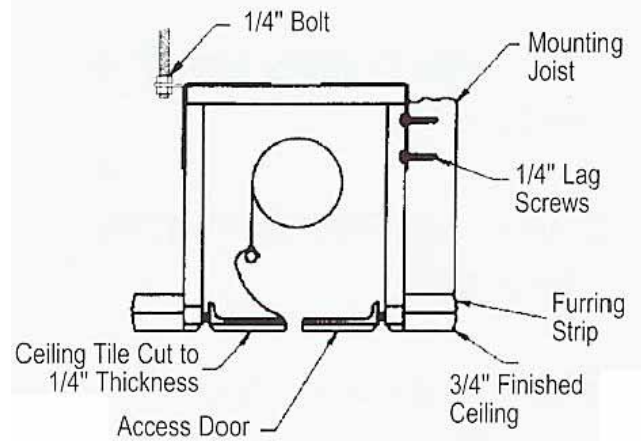
**High Power:** Available in sizes up to and including 9' x 12'. Horizontal seams required when both dimensions exceed 6'.



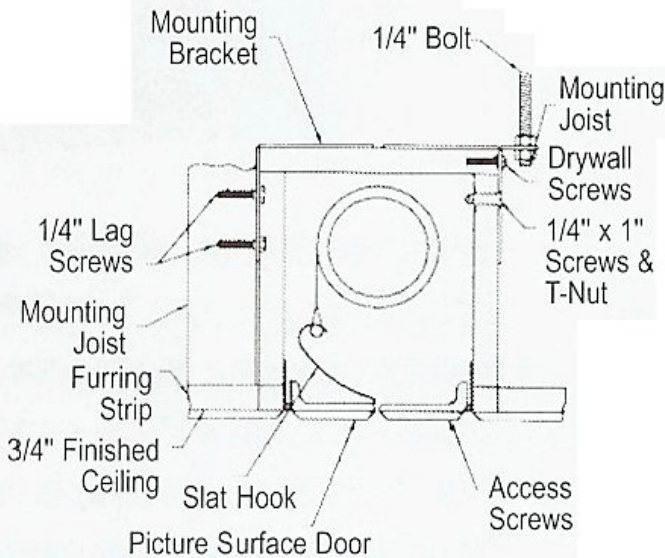
### Method A



### Method B



### Method C



### Method D

