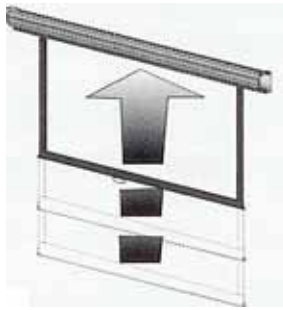
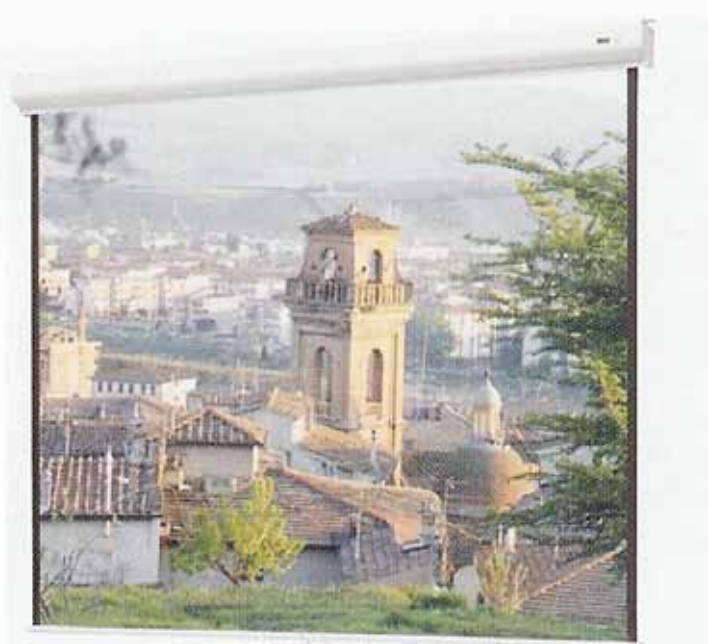


DESIGNER CONTOUR MANUAL with CSR (Controlled Screen Return)

Spring Roller Type Screen

When ordering, make appropriate selections:

- Select size from charts.
- Select viewing surface:
 - Matte White
 - High Contrast Matte White
 - Video Spectra™ 1.5
 - Glass Beaded
 - High Power
 - Silver Matte
- Options (priced separately):
 - No.6, 6" Non-adjustable extension brackets.
 - No. 11, 10" or 14" Non-adjustable extension brackets.
 - No. 23, 10", 14", 15-3/4", 18-1/4", 20", or 24" Adjustable extension brackets.
 - Tilt-Lock for Keystone Elimination (used with extension brackets).
 - T-Bar Scissors Clip for drop ceilings.
 - Pull Rod.
 - No Borders (Black masking borders standard).



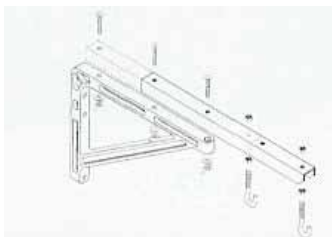
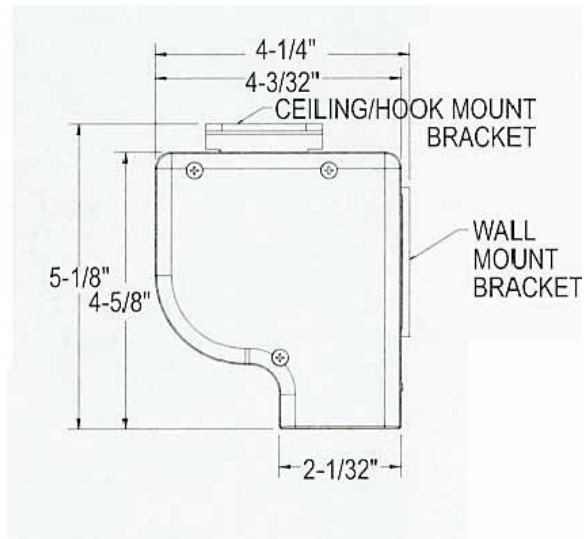
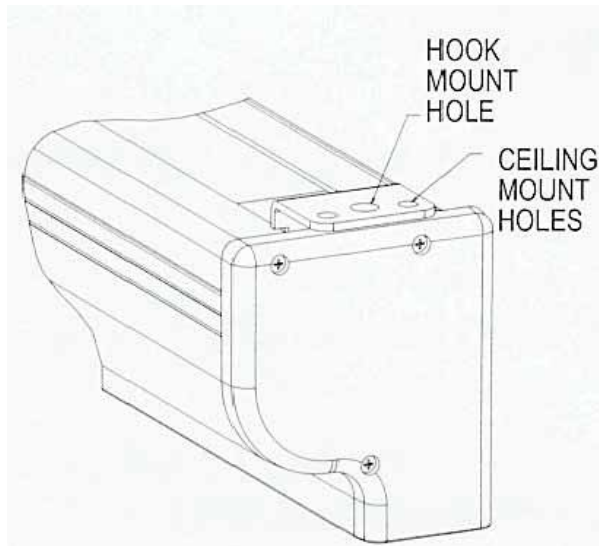
The CSR (Controlled Screen Return) will allow operator to release screen from the full down position. The screen will "fast travel" to within approximately 2' of the case. The screen will then slow down and coast into the case without damage to the fabric.

Screen Options:

Matte White, High Contrast Matte White, Glass Beaded, Video Spectra™ 1.5 and Silver Matte:

Surfaces will be seamless in all sizes.

High Power: Available in sizes up to and including 9'x12'. Horizontal seams required when both dimensions exceed 6'.



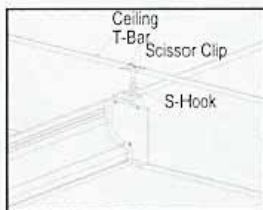
No. 23 Adjustable Wall Bracket. Screen can be extended 10", 14", 15-3/4", 18-1/4", 20" or 24" from wall by wing nut and bolt adjustment.



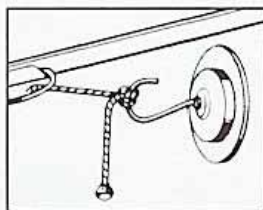
No. 11 Wall Bracket. Non-adjustable, permits screen to extend 10" or 14" from wall.



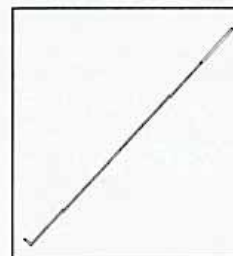
No. 6 Wall Bracket. Non-adjustable, permits screen to extend 6" from wall.



T-Bar Scissors Clip



Tilt Lock for Keystone elimination. Used with extension brackets or T-Bar Scissor Clips.



Pull Rod. Zinc plated rod with black plastic handle grip allows easy access to screen when mounted out of reach. Also can be used as a pointer.