

To Order: 800-572-9014 / sales@wiusa.com

QUICK LINK® PLASMA MOUNT FRAME

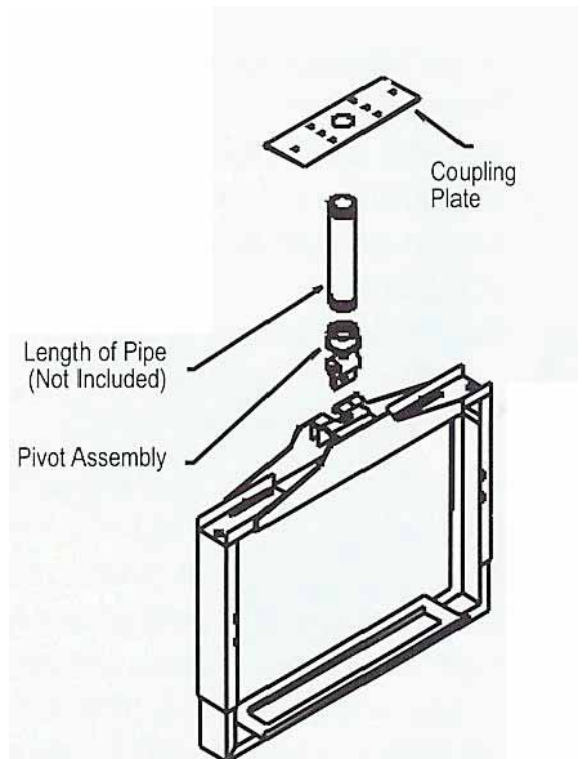
Features:

- Patent pending Quick Link design speeds up installation time and enhances mount safety.
- UL approved for ceiling attachment to concrete, wood beam, and Unistrut™ structural load bearing surfaces.
- Threaded vertical mechanical compression on monitor case prevents plasma monitor roll out.
- 360° of swivel adjustment and 0-30° of tilt adjustment.
- Landscape screen orientation mount.
- Models sized to fit plasma from 33" to 50" diagonal.
- Optional VCR/DVD mount brackets can be installed without plasma monitor removal.



Accessories (priced separately):

- Height adjustable front-loading VCR/DVD player mount.
- 1-1/2" pipe stabilizer kit.
- Escutcheon ring for 1-11/2" support pipe. (Black paint finish)
- Unistrut™ channel supported Sliding 1-11/2" NPT pipe transition.
- VCR mount lock kit.
- 2" x 1-1/2" NPT female threaded support pipe coupler.
- Cathedral ceiling support pipe coupler.
- 1-3/4" x 1-11/2" NPT male threaded pipe extension.
- 3/8" hardware kits for concrete, wood beam and Unistrut™ surfaces.
- 4", 10", 18" and 24" 1-11/2" NPT pipe extension lengths.



To select the correct model for your monitor's size, measure the height and width of the monitor screen case and compare to the QLP model(s) chart. Optional UL approved Cathedral, Suspended, and Sliding Unistrut™ pipe support adapters can be used for mounting to specific ceiling construction please refer to the ceiling accessories section on pages 6 and 7 for adapter model information.

