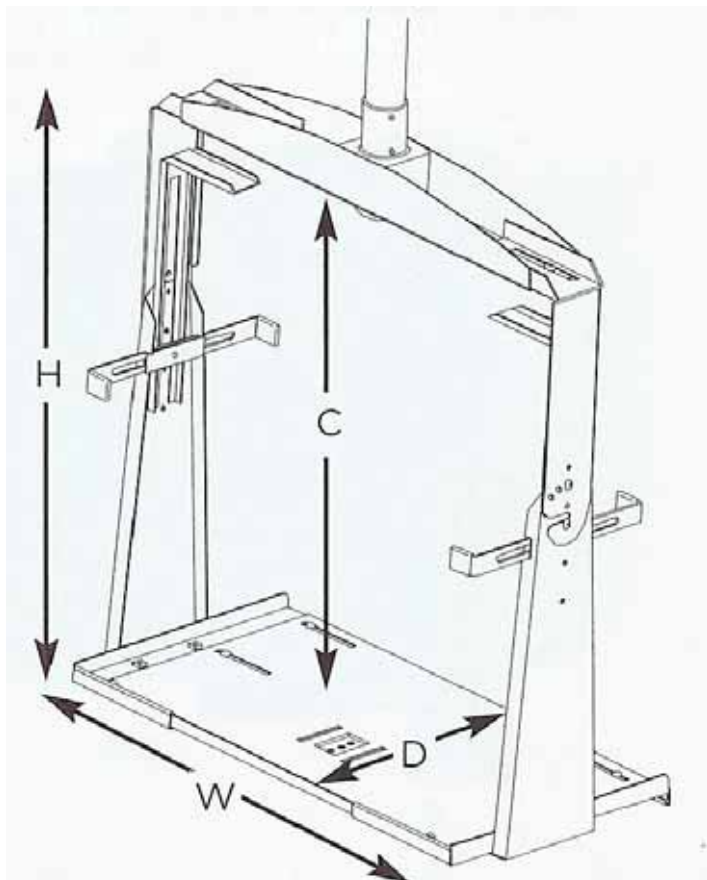


To Order: 800-527-9014 / [sales@wiusa.com](mailto:sales@wiusa.com)

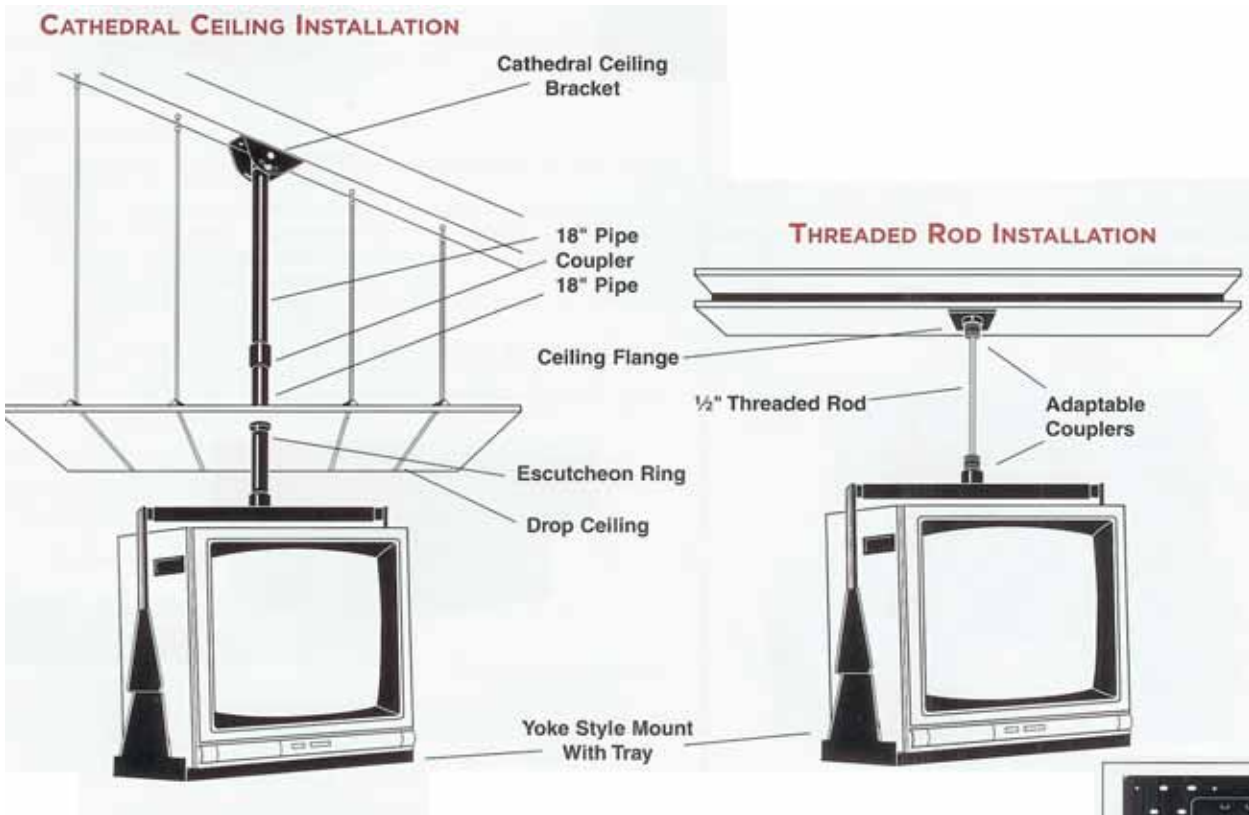
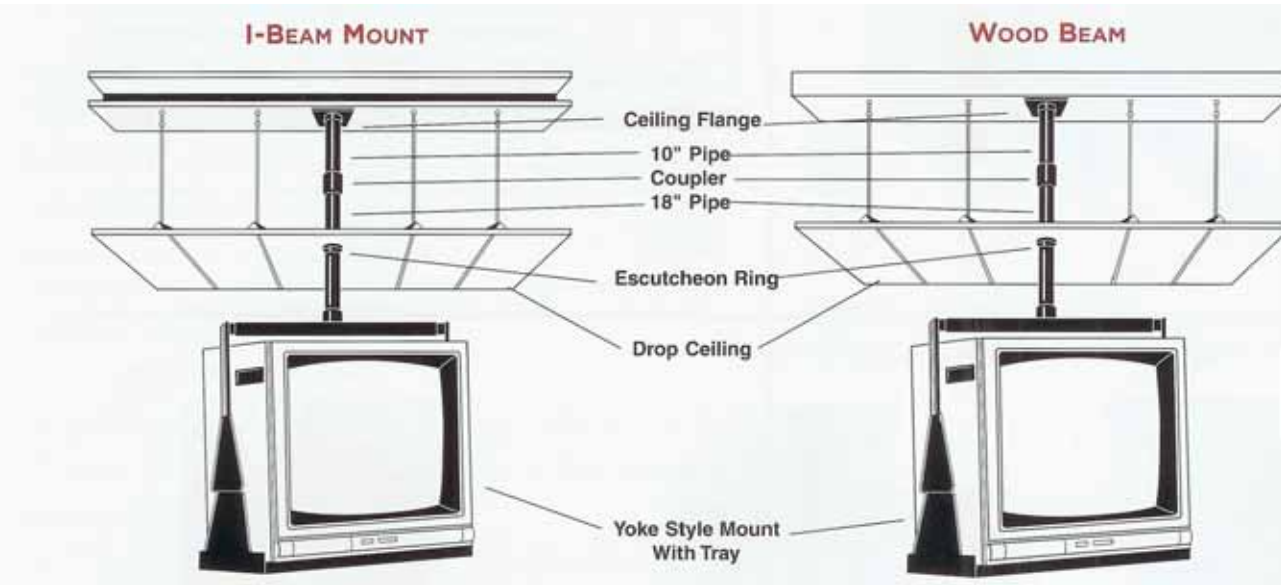
## GIBRALTAR SERIES CEILING-YOKE TV MOUNTS FOR 19-35" MONITORS

Bretford's Gibraltar Series Ceiling-Yoke TV Mounts will fit most 19-20", 25-27", or 32-35" diagonal monitors depending on the model. The mount features a yoke of 14- and 12-gauge steel and is finished in black powder paint. Mounts are UL & C-UL listed for safety. Yoke arms and tray are height and width adjustable to snugly fit around most TV cabinets. Unique dual upper clamp system on yoke arms prevents the monitor from sliding forward or backwards. Design allows you to construct and mount the TV to the platform while on the floor or a table and then lifts the unit into place on pre-mounted arms saving on installation costs. A 0-300° forward tilt (in 150 increments except the CC3020- and CC3027- which are fully adjustable) and 360° swivel allows the monitor to be set in any position. **Mounting hardware and pipes are required for installation and are sold separately.**



**CEILING-YOKE MOUNT INSTALLATION OPTIONS**

All of Bretford's Ceiling-Yoke Mounts can be installed as are pictured below. For hardware recommendations for specific installations, Bretford suggests HILTI® brand fasteners. HILTI can be contacted at **800.879.8000**.



**Note: Ceiling flange can be attached as shown above or to a mounting plate as shown at right**

