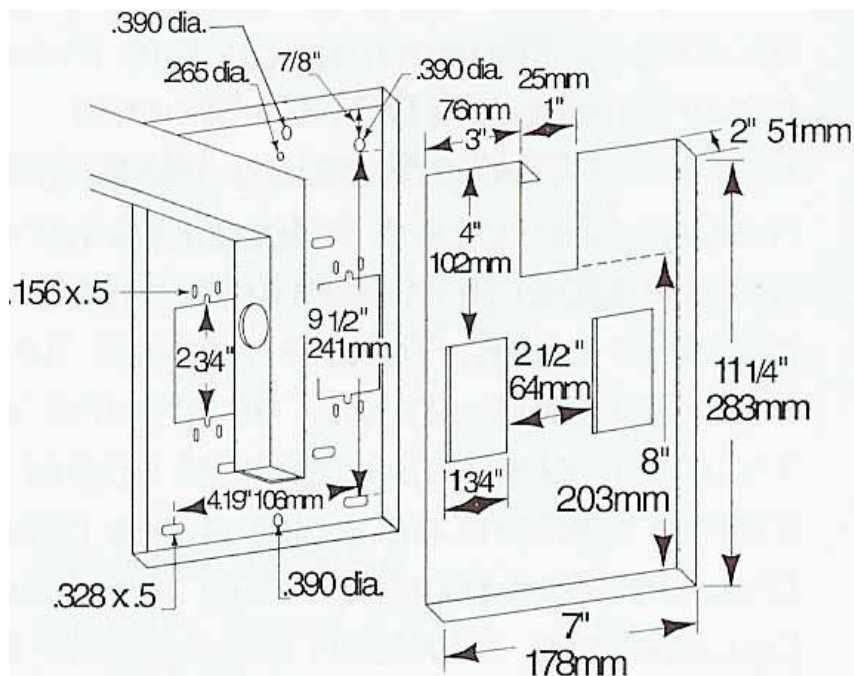
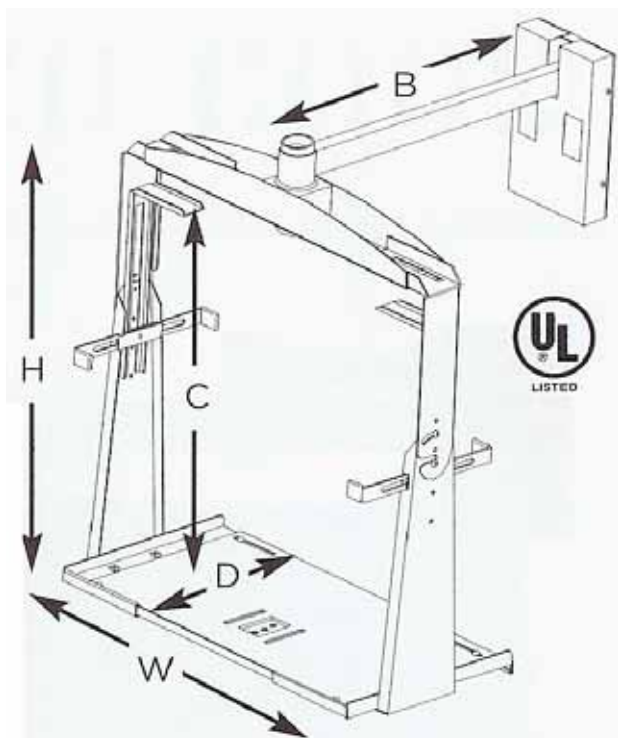
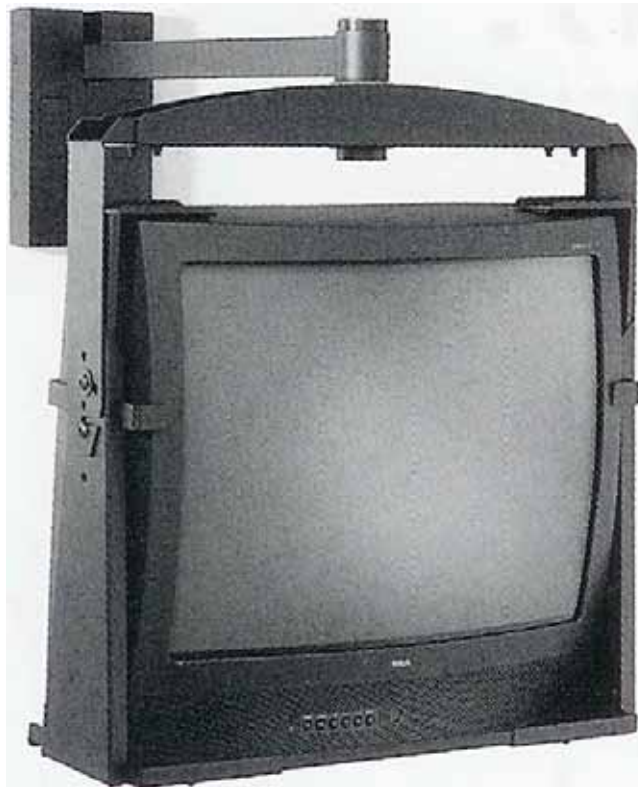


To Order: 800-527-9014 / sales@wiusa.com

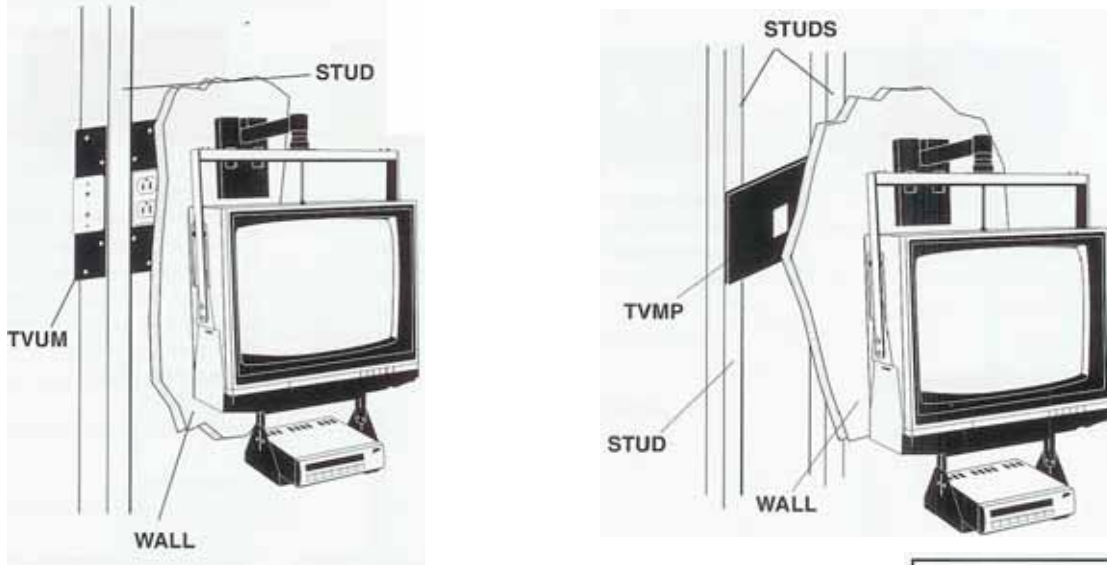
GIBRALTAR SERIES WALL-YOKE TV MOUNTS FOR 19-35" MONITORS

Bretford's Gibraltar Series Wall Yoke TV Mounts will fit most 19-20", 25-27" or 32-35" diagonal monitors depending on the model. The mount features a yoke of 14- and 12 gauge steel and is finished in black powder paint. Mounts are **UL & C-UL** listed for safety. Yoke arms are height adjustable to snugly fit around most TV cabinets. Unique dual upper clamp system on yoke arms prevents the monitor from sliding forward or backwards. A width adjustable lower tray is included for added stability. Design allows you to construct and mount the TV to the platform while on the floor or a table and then lifts the unit into place on pre-mounted arms saving on installation costs. Wall bracket assembly has knockouts for electric and antenna leads. A 0-300° forward tilt (in 150° increments on the WW3035 models) and 360° swivel allows the monitor to be set in any position. **All mounting hardware included.**

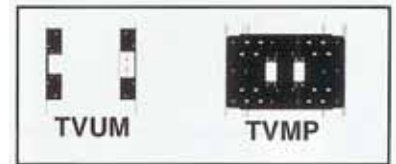


WALL-YOKE MOUNT INSTALLATION OPTIONS

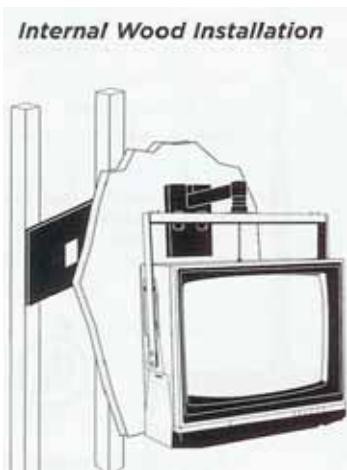
All of Bretford's Wall-Yoke Mounts can be installed as are pictured below. For hardware recommendations for specific installations, Bretford suggests HILTI® brand fasteners. HILTI can be contacted at 800.879.8000.



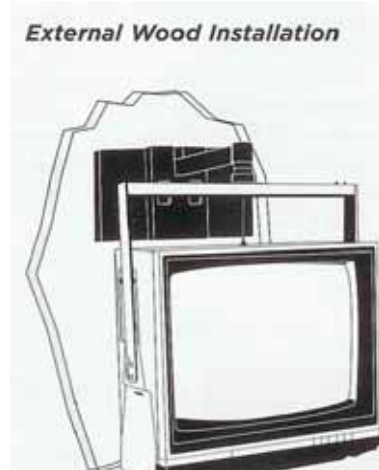
Note: Mounting plates can mount behind drywall or exterior of wall surface.



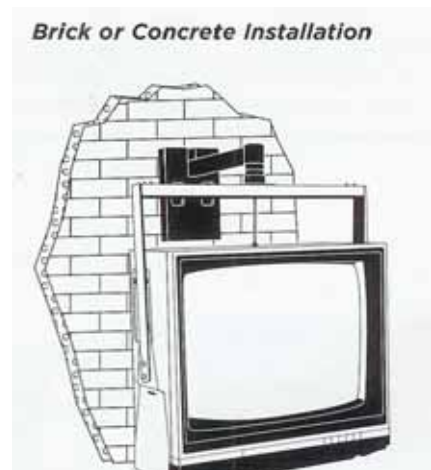
WW3035 INSTALLATIONS – Each mount is sold as a kit that includes all necessary accessories to complete the installation



- WW3035KK Includes:
- 35" Wall Yoke Mount,
 - Internal Mounting Plate (TVMP-BK)



- WW3035WW Includes:
- 35" Wall Yoke Mount
 - External Mounting Plate (TVMPEX-BK)



- WW3035CC Includes:
- 35" Wall Yoke Mount
 - C-UL Listed Hardware Pack (TVULHDW)